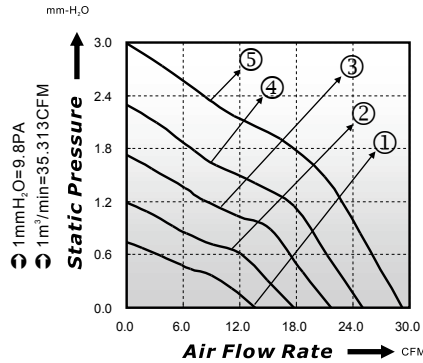


80x80x10mm

■ Model A

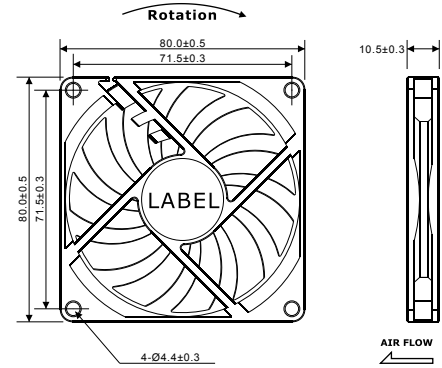


■ P-Q Curve (At Rated Voltage)



■ Dimensions Drawing

Unit: (mm)



Model No	Bearing (*)	Rated Voltage (VDC)	Rated Current (A)	Power Consumption (Watts)	Speed (rpm)	Air Flow (CFM)	Static Pressure (mmH ₂ O)	Noise (dBA)	Curve
ED08010-05L*	○ ● ⊖	5	0.15	0.75	2000	13.61	0.74	19.7	1
ED08010-05M*	○ ● ⊖	5	0.25	1.25	2500	17.70	1.18	23.3	2
ED08010-05H*	○ ● ⊖	5	0.34	1.75	3000	21.69	1.73	27.9	3
ED08010-05HH*	○ ● ⊖	5	0.45	2.25	3500	25.06	2.30	32.6	4
ED08010-12L*	○ ● ⊖	12	0.11	1.32	2500	17.70	1.18	23.3	2
ED08010-12M*	○ ● ⊖	12	0.18	2.16	3000	21.69	1.73	27.9	3
ED08010-12H*	○ ● ⊖	12	0.26	3.12	3500	25.06	2.30	32.6	4
ED08010-12HH*	○ ● ⊖	12	0.35	4.20	4000	29.23	2.99	35.7	5

* Bearing Type: ○ Sleeve ● Two Ball ⊖ Hydro-Dynamic